



Bianco Stainless Steel Single Stage Centrifugal Pumps Suitable for Vat Washing and CIP (clean in place) applications



FEATURES AND APPLICATIONS

Bianco Stainless Steel Pumps are constructed from 304 stainless steel, using advanced stamping and weld processing technologies.

They feature elegant design, corrosive resistance, high efficiency and high pressure abilities.

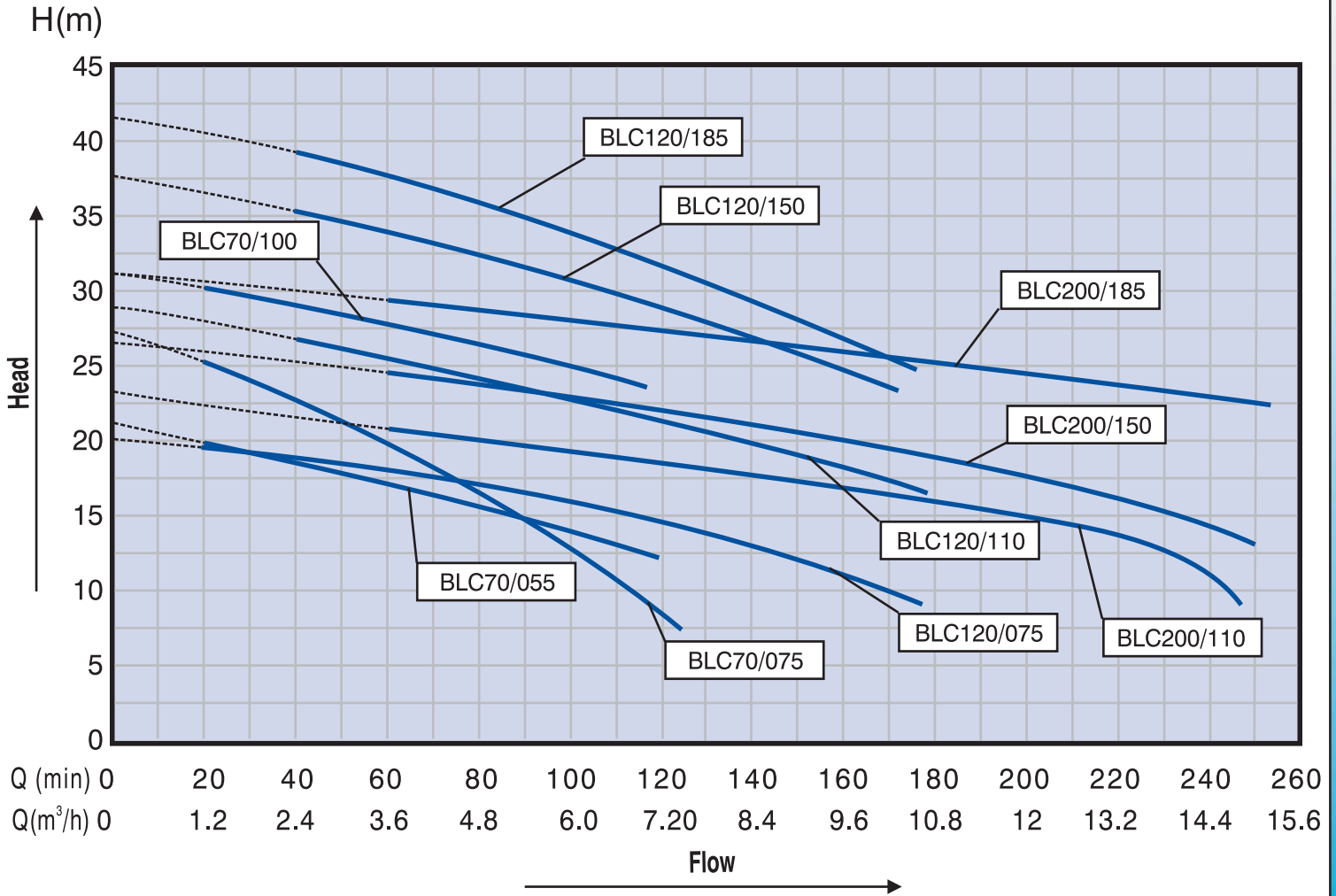
Bianco pumps are applicable for water supply, pure water feed systems, vat washing and CIP (clean in place) applications.

They are not designed to be used with explosive or inflammable liquids, or with liquids that are aggressive to 304 stainless steel.

Capacity	up to 250 l/min
Head	up to 42m
Max Pressure	8 bar
Min Temperature	-15°C
Max Temperature	+80°C



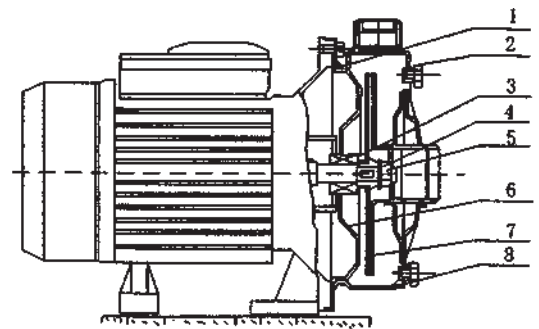
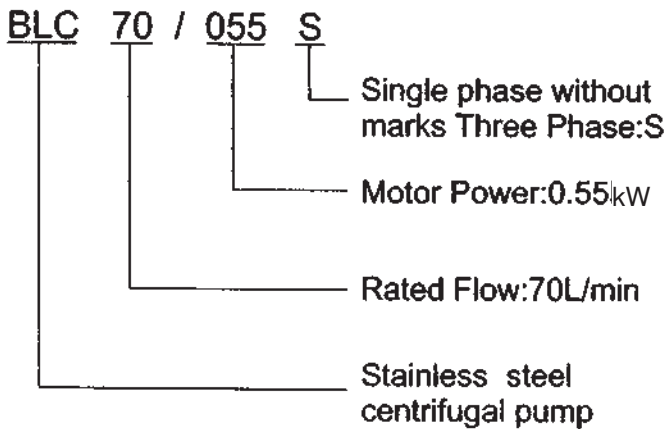
PERFORMANCE CURVES



Note: Pumps should not be operated outside of published maximum and minimum performances.

SYMBOLS

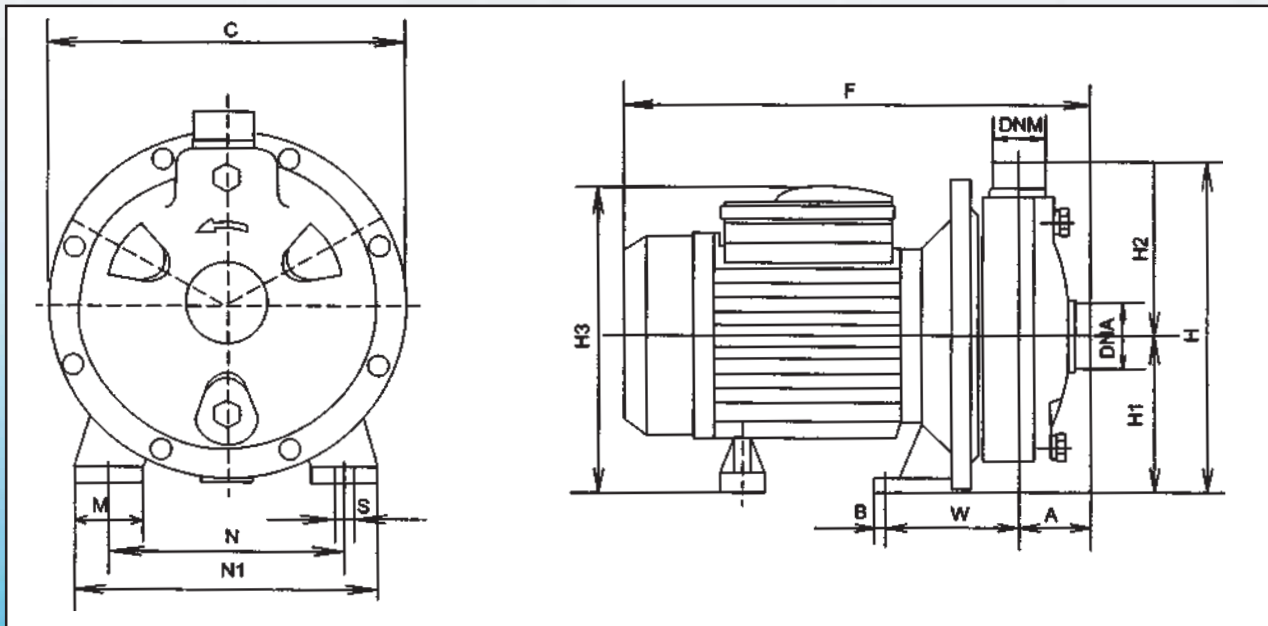
STRUCTURE



No	Description	Material	No	Description	Material
1	O-ring	NBR	5	Nut	AIS1304
2	Plug gasket	Nylon	6	Front cover	AIS1304
3	Mechanical seal	Carbon/Ceramic/NBR	7	Impeller	AIS1304
4	Key	Ocr18Ni9	8	Casing	AIS1304

Note: Upgrade seals to silicon carbide and viton upon request

OVERALL DIMENSIONS



Model	Dimension															N.W (Kg)
	A	C	F	H	H1	H2	H3	M	N	N1	S	W	B	DNA	DNM	
BLC70/055	47	213	213	222	110	112	220	40	140	180	12	86.5	12	G1¼	G1	10
BLC70/075	47	213	213	222	110	112	220	40	140	180	12	86.5	12	G1¼	G1	11
BLC70/100	47	213	213	222	110	112	220	40	140	180	12	86.5	12	G1¼	G1	12
BLC120/075	47	213	213	222	110	112	220	40	140	180	12	86.5	12	G1¼	G1	11
BLC120/110	47	213	213	222	110	112	234	40	140	180	12	86.5	12	G1¼	G1	12.5
BLC120/150	49	234	337	240	120	120	251	40	150	190	12	93.5	12	G1¼	G1	16
BLC120/185	49	234	373	240	120	120	251	40	150	190	12	93.5	12	G1¼	G1	17
BLC200/110	46	213	373	222	110	112	234	40	140	180	12	86.5	12	G1½	G1	12.5
BLC200/150	46	213	366	222	110	112	241	40	140	180	12	86.5	12	G1½	G1	15.5
BLC200/185	46	213	366	222	110	112	241	40	140	180	12	86.5	12	G1½	G1	16.5

PERFORMANCE DATA

Model		Power Hp/kW	Head (m) max - min	Flow (L/min) min - max	NPSH r(m)	Ports (BSP)	
Single phase	Three phase					In	Out
BLC70/055	BLC70/055S	0.75/0.55	19~14	20~120	2.0	1¼	1
BLC70/075	BLC70/075S	1.00/0.75	25~17	20~120		1¼	1
BLC70/100	BLC70/100S	1.35/1.00	30~20	20~120		1¼	1
BLC120/075	BLC120/075S	1.00/0.75	19~11	40~180		1¼	1
BLC120/110	BLC120/110S	1.50/1.10	25~17	40~180		1¼	1
BLC120/150	BLC120/150S	2.00/1.50	31~21	40~180		1¼	1
BLC120/185	BLC120/185S	2.50/1.85	37~25	40~180		1¼	1
BLC200/110	BLC200/110S	1.50/1.10	21~9	60~260		1½	1
BLC200/150	BLC200/150S	2.00/1.50	25~15	60~260		1½	1
BLC200/185	BLC200/185S	2.50/1.85	29~21	60~260		1½	1

BIANCO PROFESSIONAL PUMPZ

DESCRIPTION

Stamped stainless steel AISI 304 close coupled centrifugal pumps.

The cylindrical casing, the cover and the impeller are made of AISI 304.

The pumps of the BLC series are light weight and grant a stable, noiseless and reliable operation, together with high performances.

APPLICATIONS

They are used in the domestic, industrial fields as well as in agriculture for:

- **water circulation for industrial and domestic applications**
- **car-washing**
- **tank emptying**
- **gardening**
- **fountains**
- **irrigation**
- **vat washing**

Australia

**White International Pty Ltd. A.B.N. 48 000 119 380
PO Box 4755 Milperra BC 1891 NSW 2017 Australia.
Sales Hotline 1300 783 601 Sales Fax (02) 9783 6003
www.whiteint.com.au**

New Zealand

**White International NZ Ltd PO Box 12704 Penrose, Auckland
Sales Hotline 0800 509 506 Sales Faxline 0800 804 344
www.whiteint.co.nz**

